

3300



The ProFlo 3300™ Pumps out great results every time.

Typical Applications: • Agricultural Spraying • Industrial Transfer • General Purpose • Automotive • Golf Course Spraying



Made in the USA



Sealed motor



Low amp draw

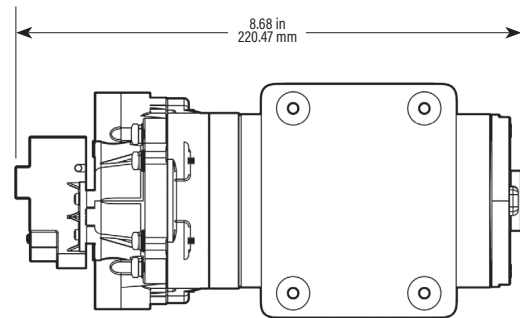
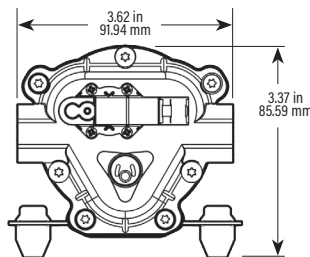


Less heat rise



Superior priming capabilities

THREADED HEAD DEMAND



3300 SERIES PUMP PERFORMANCE

PSI	3301/3311/3321			3303/3313/3323		
	GPM	LPM	AMPS	GPM	LPM	AMPS
OPEN	1.20	4.55	3.50	2.20	8.34	3.50
10	1.10	4.17	4.25	2.00	7.58	4.50
20	1.05	3.98	4.50	1.95	7.39	5.00
30	1.00	3.79	5.00	1.70	6.44	5.50
40	0.95	3.60	5.25	1.60	6.06	6.00
50	0.90	3.41	5.50	1.55	5.87	7.00
60	0.80	3.03	5.50	1.45	5.50	7.50
70	0.75	2.84	5.75	1.40	5.31	8.00
80	0.65	2.46	6.25	1.35	5.12	8.75
90	0.55	2.08	6.50	1.25	4.74	9.50
100	0.50	1.90	7.00	1.00	3.79	10.00

Actual performance may vary based on pump configuration.



3300 STANDARD PUMP CONFIGURATIONS

Item	GPM	Controls	PSI	Valves	Diaphragm	Ports	Voltage
1.2 GPM STANDARD							
	3301-1E1-82B		1.2GPM DEMAND	60	VITON		SANTOPRENE
5/8" QUICK ATTACH 12 VDC							
3311-1E1-82B	•	1.2GPM DEMAND	60	VITON	SANTOPRENE	3/4" QUICK ATTACH	12 VDC
3321-1E1-82B	•	1.2GPM DEMAND	60	VITON	SANTOPRENE	3/8" FNPT	12 VDC
3301-2E1-82B	•	1.2GPM BYPASS	60	VITON	SANTOPRENE	5/8" QUICK ATTACH	12 VDC
3311-2E1-82B	•	1.2GPM BYPASS	60	VITON	SANTOPRENE	3/4" QUICK ATTACH	12 VDC
3321-2E1-82B	•	1.2GPM BYPASS	60	VITON	SANTOPRENE	3/8" FNPT	12 VDC
2.2 GPM STANDARD							
3303-1E1-82B	•	2.2GPM DEMAND	60	VITON	SANTOPRENE	5/8" QUICK ATTACH	12 VDC
3313-1E1-82B	•	2.2GPM DEMAND	60	VITON	SANTOPRENE	3/4" QUICK ATTACH	12 VDC
3323-1E1-82B	•	2.2GPM DEMAND	60	VITON	SANTOPRENE	3/8" FNPT	12 VDC
3303-2E1-82B	•	2.2GPM BYPASS	60	VITON	SANTOPRENE	5/8" QUICK ATTACH	12 VDC
3313-2E1-82B	•	2.2GPM BYPASS	60	VITON	SANTOPRENE	3/4" QUICK ATTACH	12 VDC
3323-2E1-82B	•	2.2GPM BYPASS	60	VITON	SANTOPRENE	3/8" FNPT	12 VDC
EXTREME DUTY							
3321-1E3-82B	••	1.2GPM DEMAND	60	VITON	GEOLAST	3/8" FNPT	12 VDC
3321-2E3-82B	••	1.2GPM BYPASS	60	VITON	GEOLAST	3/8" FNPT	12 VDC
3323-1E3-82B	••	2.2GPM DEMAND	60	VITON	GEOLAST	3/8" FNPT	12 VDC
3323-2E3-82B	••	2.2GPM BYPASS	60	VITON	GEOLAST	3/8" FNPT	12 VDC
SANTOPRENE							
3321-1E5-82B	•••	1.2GPM DEMAND	60	SANTOPRENE	SANTOPRENE	3/8" FNPT	12 VDC
3321-2E5-82B	•••	1.2GPM BYPASS	60	SANTOPRENE	SANTOPRENE	3/8" FNPT	12 VDC
3323-1E5-82B	•••	2.2GPM DEMAND	60	SANTOPRENE	SANTOPRENE	3/8" FNPT	12 VDC
3323-2E5-82B	•••	2.2GPM BYPASS	60	SANTOPRENE	SANTOPRENE	3/8" FNPT	12 VDC
EPDM							
3321-1E4-82B	•••	1.2GPM DEMAND	60	EPDM	SANTOPRENE	3/8" FNPT	12 VDC
3321-2E4-82B	•••	1.2GPM BYPASS	60	EPDM	SANTOPRENE	3/8" FNPT	12 VDC
3323-1E4-82B	•••	2.2GPM DEMAND	60	EPDM	SANTOPRENE	3/8" FNPT	12 VDC
3323-2E4-82B	•••	2.2GPM BYPASS	60	EPDM	SANTOPRENE	3/8" FNPT	12 VDC
24VDC							
3321-1E1-73A	••••	1.2GPM DEMAND	60	VITON	SANTOPRENE	3/8" FNPT	24 VDC
3323-1E1-73A	••••	2.2GPM DEMAND	60	VITON	SANTOPRENE	3/8" FNPT	24 VDC
115 VAC							
3321-1E1-52C	••••	1.2GPM DEMAND	60	VITON	SANTOPRENE	3/8" FNPT	115 VAC
3323-1E1-52C	••••	2.2GPM DEMAND	60	VITON	SANTOPRENE	3/8" FNPT	115 VAC

• Other Pressures Available • All Ports Available • Bypass Version Available
 For other available options, see custom pages 14-15.



PUMP INFORMATION



Type

3 chamber diaphragm pump, self priming, capable of being run dry

Mode

- Demand
- Bypass
- No Controls
- Dual Controls

Certifications Option

- CE Approval

Liquid Temperature

140°F (60°C) Max.

Priming Capabilities

8 feet (2.4 m)

Max Pressure

200 PSI (14 bar)

Inlet/Outlet Ports

- 5/8" Quick Attach
- 3/4" Quick Attach
- 3/8" FNPT

Weight

6 lbs (2.7 kg)

MOTOR INFORMATION



Leads

14 AWG, 7" long with 2-Pin or custom connection

Temperature Limits

Motor is not equipped with thermal protection. For user safety, optimal performance, and maximum motor life, the motor surface temperature should not exceed 180°F (82°C)