

Aquajet

POWER RV
SERIES



The PowerRV Aquajet- variable speed, low noise, and steady performance.

Typical Applications: - RV and Coach water pumps - Ag water pumps - Transfer pumps



Made in the USA



Smoother flows without rapid cycling



Improved safety features

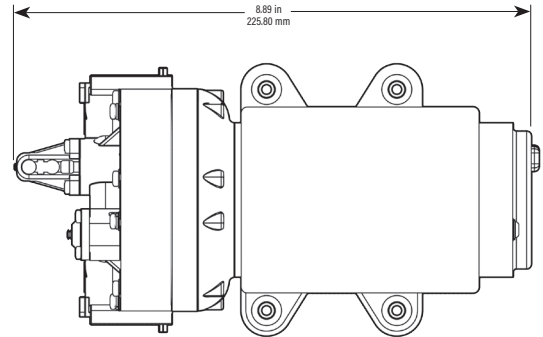
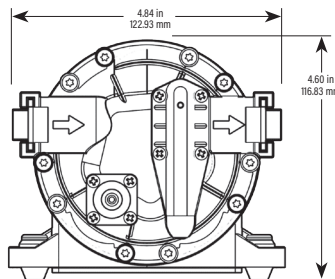


Greater flows higher pressures



Virtually silent operation

AQUAJET VARIABLE SPEED



AQUAJET SERIES PUMP PERFORMANCE

PSI	AQUAJET-AES/OES			AQUAJET-ARV/ORV			AQUAJET-AES 115 VAC			AQUAJET-ARV 115 VAC		
	GPM	LPM	AMPS	GPM	LPM	AMPS	GPM	LPM	AMPS	GPM	LPM	AMPS
OPEN	3.40	12.89	3.50	5.30	20.09	7.25	3.40	12.89	0.50	5.30	20.09	0.50
10	3.00	11.37	4.50	4.75	18.00	8.50	3.00	11.37	0.75	4.75	18.00	0.75
20	2.70	10.23	5.50	4.00	15.16	9.75	2.70	10.23	0.75	4.00	15.16	1.00
30	2.30	8.72	6.50	3.25	12.32	10.00	2.30	8.72	1.00	3.25	12.32	1.25
40	2.00	7.58	6.50	2.50	9.48	10.00	2.00	7.58	1.00	2.50	9.48	1.50
50	1.60	6.06	6.50	2.25	8.53	10.00	1.60	6.06	1.00	2.25	8.53	1.50
60	1.25	4.74	6.50	1.75	6.63	10.00	1.25	4.74	1.00	1.75	6.63	1.50
70	1.00	3.79	6.50	1.50	5.69	10.00	1.00	3.79	1.00	1.50	5.69	1.50

Actual performance may vary based on pump configuration.

AQUAJET STANDARD PUMP CONFIGURATIONS

Item Number	GPM	Controls	PSI	Valves	Diaphragm	Ports	Voltage
3.4 GPM							
55AQUAJET-AES	• 3.4 GPM	VARIABLE SPEED	65	EPDM	SANTOPRENE	3/4" QUICK ATTACH	12 VDC
55AQUAJET-OES	3.4 GPM	VARIABLE SPEED	65	EPDM	SANTOPRENE	3/4" QUICK ATTACH	12 VDC
5.3 GPM							
55AQUAJET-ARV	• 5.3 GPM	VARIABLE SPEED	65	EPDM	SANTOPRENE	3/4" QUICK ATTACH	12 VDC
55AQUAJET-ORV	5.3 GPM	VARIABLE SPEED	65	EPDM	SANTOPRENE	3/4" QUICK ATTACH	12 VDC
24 VDC							
55AQUAJET-AES24	• 3.4 GPM	VARIABLE SPEED	65	EPDM	SANTOPRENE	3/4" QUICK ATTACH	24 VDC
55AQUAJET-ARV24	• 5.3 GPM	VARIABLE SPEED	65	EPDM	SANTOPRENE	3/4" QUICK ATTACH	24 VDC
115 VAC							
55AQUAJET-WVS38-115	• 3.4 GPM	VARIABLE SPEED	65	EPDM	SANTOPRENE	3/4" QUICK ATTACH	115 VAC
55AQUAJET-WVS45-115	• 5.3 GPM	VARIABLE SPEED	65	EPDM	SANTOPRENE	3/4" QUICK ATTACH	115 VAC

• 3/4"QA x 1/2" MNPT Fittings included in box
Other configurations available, please consult factory

As variable speed technology is becoming increasingly popular throughout the RV industry, Remco remains committed to its continued product leadership. Our unmatched experience with both RV manufacturers and owners has enabled us to provide "the best RV pumps in the world."

QTS-556 Fitting



PUMP INFORMATION



Type

5 chamber variable speed diaphragm pump, self priming, capable of being run dry

Certifications

IAPMO, NSF, CSA

Liquid Temperature

140°F (60°C) Max.

Priming Capabilities

AES: 10 feet (3 m)
ARV: 13 feet (4 m)

Max Pressure

65PSI (4.5bar)

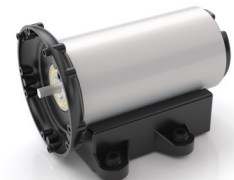
Inlet/Outlet Ports

3/4" Quick Attach

Weight

8 lbs (3.6 kg)

MOTOR INFORMATION



Leads

14 AWG, 12" long

Temperature Limits

If the heat rises above 185°F (85°C), an auto reset thermal protector will shut down the system, allowing the components to cool.

Low Voltage Shut-off

