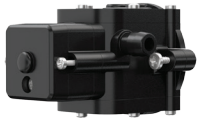


PUMP INFORMATION



Type

2 chamber diaphragm pump, self priming, capable of being run dry

Mode

Demand / Bypass

Liquid Temperature

110°F (43°C)

Priming Capabilities

4 feet (1.2 m) suction lift

Max Pressure

40 PSI (2.8 bar)

Weight

2.0 lbs (1.0 kg)

Inlet/Outlet Ports

3/8" hose barb

Weight

1.25 lbs (.57 kg)

MOTOR INFORMATION



Leads

18 AWG, 4.5" long with 2-Pin connector

Duty Cycle

Intermittent

Compact design



Heavy-duty demand switch



Can run dry



Quiet operation



Industry standard mount pattern



2200

Economy Plus+ SERIES

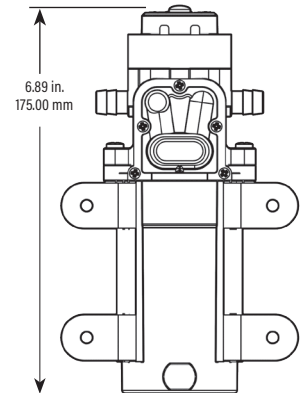


The Economy Plus 2200- proves that big things come in small packages.

2200 STANDARD PUMP CONFIGURATIONS

Item	GPM	Controls	PSI	Diaphragm	Ports	Voltage
1.0 GPM						
2240-1B1-10E	1.0GPM	DEMAND	40	SANTOPRENE	3/8"HB	12 VDC

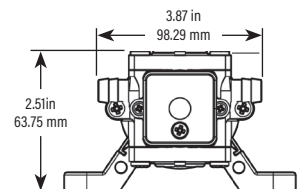
Other configurations available, please consult factory



2200 SERIES PUMP PERFORMANCE

2240-1B1-10E			
PSI	GPM	LPM	AMPS
OPEN	1.00	3.79	1.75
10	0.85	3.22	2.00
20	0.75	2.84	2.25
30	0.65	2.46	2.50
40	0.60	2.27	3.00

Actual performance may vary based on pump configuration.



2400

Economy Plus +
SERIES



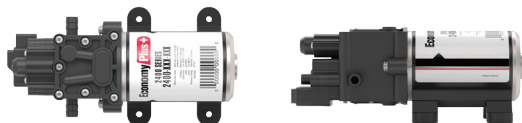
The Economy Plus 2400-performance meets quality in an affordable pump.

Typical Applications: • Water Treatment/RO • Beverage/Food service • Distillation Equipment
• Agricultural Spraying • General Industrial • Automotive

2400 STANDARD PUMP CONFIGURATIONS

Item	GPM	Controls	PSI	Diaphragm	Ports	Voltage
1.6 GPM						
2452-1H1-10B	1.6 GPM	DEMAND/BYPASS	80	SANTOPRENE	3/8" HB	12 VDC
2452-1I1-10B	1.6 GPM	DEMAND/BYPASS	100	SANTOPRENE	3/8" HB	12 VDC
2452-1H1-20B	1.6 GPM	DEMAND/BYPASS	80	SANTOPRENE	3/8" HB	24 VDC
2452-1I1-20B	1.6 GPM	DEMAND/BYPASS	100	SANTOPRENE	3/8" HB	24 VDC

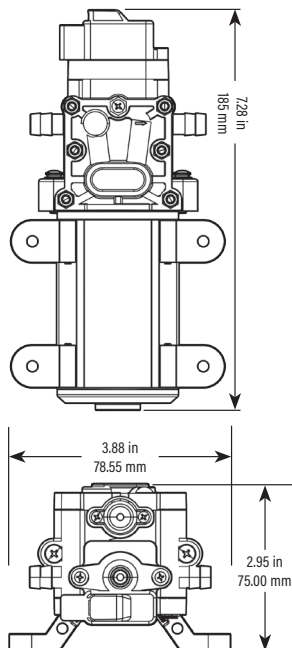
Other configurations available, please consult factory



2400 SERIES PUMP PERFORMANCE

PSI	GPM	LPM	AMPS
OPEN	1.60	6.06	2.00
10	1.40	5.31	2.50
20	1.35	5.12	3.00
30	1.15	4.36	3.25
40	1.00	3.79	3.50
50	0.95	3.60	3.75
60	0.85	3.22	3.75
70	0.75	2.84	4.00
80	0.60	2.27	4.25
90	0.45	1.71	4.50
100	0.40	1.52	4.75

Actual performance may vary based on pump configuration.



PUMP INFORMATION



Type

2 chamber diaphragm pump, self priming, capable of being run dry

Mode

Demand / Bypass

Liquid Temperature

140°F (60°C)

Priming Capabilities

up to 6 ft

Max Pressure

100 PSI (6.9 bar)

Inlet/Outlet Ports

3/8" hose barb

Weight

2.5 lbs (1.14 kg)

MOTOR INFORMATION



Leads

18 AWG, 4.5" long with 2-Pin connector

Duty Cycle

Intermittent

- Positive displacement pump
- Available demand and bypass
- Can run dry
- Quiet operation
- Industry standard mount pattern