

Rebel

FLO
IQ
INSIDE.



The PowerRV Rebel—
Delivering a new
level of pumping
performance.

Typical Applications * Water Treatment/RO * General Industrial * Alternative Energy/Solar



Made in the
USA



Motor Options



Sealed motor

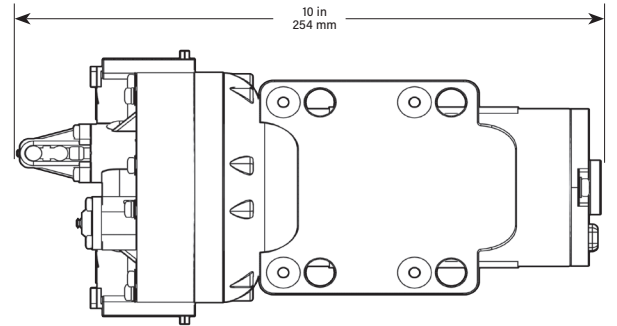
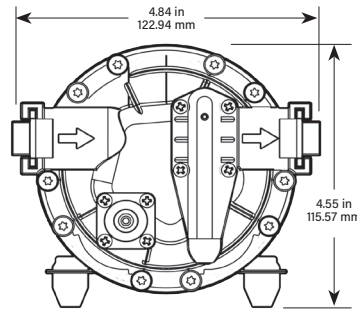


Professional
grade



Heavier wire for low
amp draw

12V PUMP DIMENSIONS



PERFORMANCE REBEL SERIES

PSI	53REBEL			54REBEL			55REBEL		
	GPM	LPM	AMPS	GPM	LPM	AMPS	GPM	LPM	AMPS
OPEN	3.10	11.75	4.00	4.55	17.24	7.50	5.30	20.09	8.00
10	2.80	10.61	5.00	4.10	15.54	8.50	5.11	19.37	9.50
20	2.30	8.72	6.00	3.75	14.21	9.50	4.75	18.00	11.00
30	2.10	7.96	7.00	3.40	12.89	11.00	4.30	16.30	13.00
40	1.90	7.20	8.00	3.05	11.56	12.00	3.85	14.59	14.00
50	1.65	6.25	8.50	2.75	10.42	13.00	3.40	12.89	15.00
60	1.45	5.50	9.50	2.45	9.29	13.50	3.00	11.37	15.00

FLO
IQ
INSIDE.

REBEL STANDARD PUMP CONFIGURATIONS

Item Number	GPM	Controls	PSI	Valves	Diaphragm	Ports	Voltage
JRV PUMPS							
53REBEL-JRV	•• 3.0 GPM	Dual	60	EPDM	SANTOPRENE	3/4" QUICK ATTACH	12 VDC
54REBEL-JRV	•• 4.0 GPM	Dual	60	EPDM	SANTOPRENE	3/4" QUICK ATTACH	12 VDC
55REBEL-JRV	•• 5.3 GPM	Dual	60	EPDM	SANTOPRENE	3/4" QUICK ATTACH	12 VDC
55REBEL-65C	•• 5.3 GPM	Dual	60	EPDM	SANTOPRENE	3/4" QUICK ATTACH	120 VAC
ORV PUMPS - No fuse							
53REBEL-ORV	• 3.0 GPM	Dual	60	EPDM	SANTOPRENE	3/4" QUICK ATTACH	12 VDC
54REBEL-ORV	• 4.0 GPM	Dual	60	EPDM	SANTOPRENE	3/4" QUICK ATTACH	12 VDC
55REBEL-ORV	• 5.3 GPM	Dual	60	EPDM	SANTOPRENE	3/4" QUICK ATTACH	12 VDC

- Retail Packaging
- Other Voltages Available



PUMP INFORMATION

Voltage

12VDC or 120VAC

Flow Rate

53REBEL - 3.0 GPM / 12 LPM
 54REBEL - 4.0 GPM / 15 LPM
 55REBEL - 5.3 GPM / 20 LPM

Amps

15 Max

Max Pressure

60 PSI Shutoff

Inlet/Outlet Ports

3/4" NPT or Quick Attach

Weight

All models: 8 lbs (3.62 kg)



MOTOR INFORMATION

- No cycling
- Outlet check valve prevents back flow
- High Performance 60PSI, 15 Amps Max
- Self Priming - 14 Ft.
- Run dry capability



Engineered to withstand the most rigorous and punishing duty cycles, the PowerRV Rebel Series Pump is a top-line performer. We make this claim because we use the highest quality American Made pump components, and back it up with support for only one mission: yours. What makes this pump special is Remco's ability to offer custom configurations that precisely match your industrial and commercial needs.